

## PolyGard® Plastic Housing Type A for ADT Transmitters



### DESCRIPTION

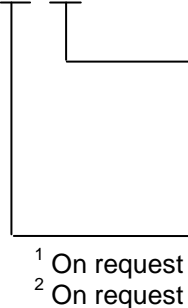
Plastic housing for enclosing the PolyGard ADT transmitter series.

### TECHNICAL DATA

Enclosure Plastic Type A	Polycarbonate
Flammability	UL 94 V2
Enclosure colour	RAL 7032 (light grey)
Dimensions (W x H x D)	94 x 130 x 57 mm (3.7 x 5.12 x 2.24 in.)
Weight	Approx. 0.2 kg (0.44lbs.)
Protection class	IP 65
Installation	Wall mounting
Cable entry	Standard 1 x M 20
Wire connection	Screw type terminal 0.25 mm <sup>2</sup> to 2.5 mm <sup>2</sup> (24 AWG to 14 AWG)
Temperature range	-20 °C to 50 °C (-4 to 122 °F)
Gas inlet	Direct
Mounting accessories	M 20 screwing, mounting screws

### ORDERING INFORMATION

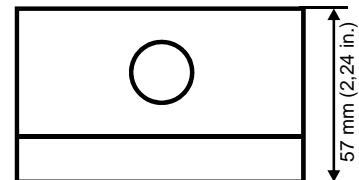
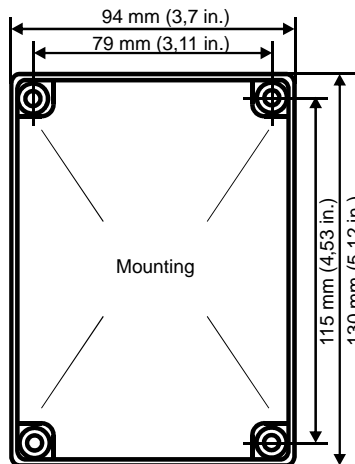
XT-A-XX-XX



- Cover Logo**
- 1X Without Logo
  - 2X MSR-E Logo
  - 3X Customer's Logo<sup>1</sup>

- Cable entry**
- X1 Cable entry above
  - X2 Cable entry above /below
  - X3 Cable entry back side<sup>2</sup>

### DIMENSIONS



## PolyGuard® Plastic Housing Type B with Duct Mounting Set for ADT Transmitters



### DESCRIPTION

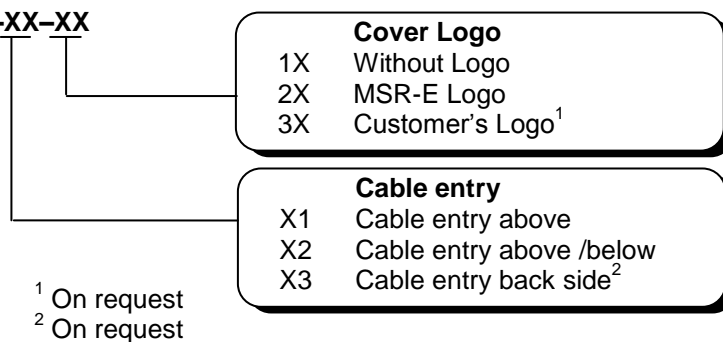
Plastic housing for enclosing the PolyGuard ADT transmitter series for duct mounting.

### TECHNICAL DATA

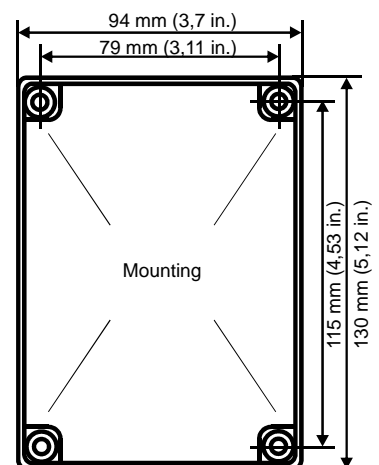
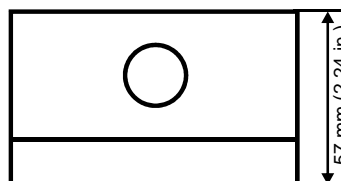
Enclosure Plastic Type B	Polycarbonate
Flammability	UL 94 V2
Enclosure colour	RAL 7032 (light grey)
Dimensions (W x H x D)	94 x 130 x 57 mm (3.7 x 5.12 x 2.24 in.)
Weight	Approx. 0.2 kg (0.44 lbs.)
Protection class	IP 65
Installation	Duct mounting
Cable entry	Standard 1 x M 20
Wire connection	Screw type terminal, 0.25 mm <sup>2</sup> to 2.5 mm <sup>2</sup> (24 AWG to 14 AWG)
Temperature range	-20 °C to 50 °C (-4 to 122 °F)
Accessories	M 20 screwing, mounting screws
Gas inlet	Via a sampling pipe/ connection tube
Flow speed	Min. 5000 m/h max. 20.000 m/h
Duct diameter (ca.)	Min. 0.1 m, max. 1.0 m
Length of sampling pipe	250 mm, adaptable to the duct diameter by cutting to lengths: 192, 133 or 77 mm
Tube length	2 x 1000 mm
Mounting	- Arrow at the sampling set in flow direction - Always mount in the middle of the duct - Keep a minimum distance of 1000 mm to duct bends etc.

### ORDERING INFORMATION

XT-B-XX-XX



### DIMENSIONS



## PolyGard® Plastic Housing Type E for ADT Transmitter with Double Relay Output (230V)



### DESCRIPTION

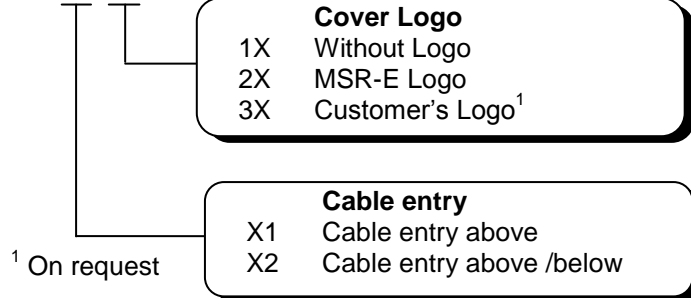
Special plastic housing for enclosing the PolyGard ADT transmitter series for the additional option of the double relay output (230V).

### TECHNICAL DATA

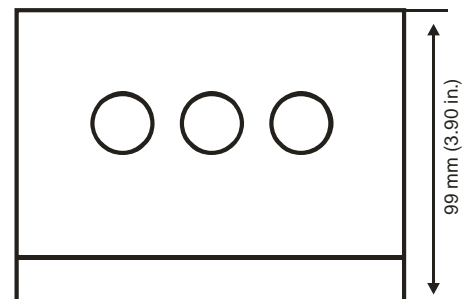
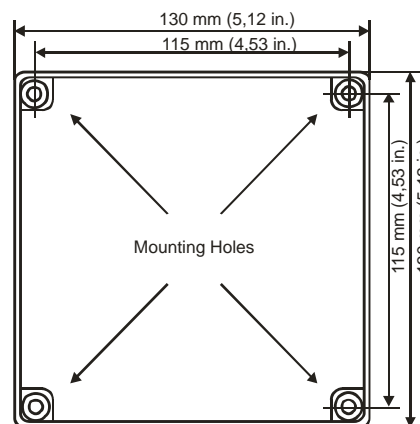
Enclosure Plastic Type E	Polycarbonate
Flammability	UL 94 V2
Enclosure colour	RAL 7032 (light grey)
Dimensions (W x H x D)	130 x 130 x 99 mm (5.12 x 5.12 x 3.90 in.)
Weight	ca. 0.3 kg (0.66 lb)
Protection class	IP 65
Installation	Wall mounting
Cable entry	Standard 3 x M 20
Wire connection	Screw type terminal, 0.25 mm <sup>2</sup> (24 AWG) max. 2.5 mm <sup>2</sup> (14 AWG)
Temperature range	-40 °C to 60 °C (-40 to 140 °F)
Gas inlet	Direct
Accessories	M 20 screwing, mounting screws

### ORDERING INFORMATION

XT-E-XX-XX



### DIMENSIONS



## PolyGard® Stainless Steel Housing type 5 for ADT Transmitters

### DESCRIPTION

Shapely designed stainless steel housing for enclosing the PolyGard ADT gas transmitter series equipped with a practical snap closing without screwing. To avoid unauthorized opening the housing can only be opened by the enclosed opening tool OT 01.

Opening Tool



### TECHNICAL DATA

Enclosure stainless steel, type 5	Stainless steel, 1 mm, Material 1.4301 corrosion-resistant
Colour	Natural, brushed
Dimensions (W x H x D)	113 x 135 x 45 mm (4.5 x 5.35 x 1.8 in.)
Weight	Approx. 0.5 kg (1.1 lbs.)
Protection class	IP 55
Mounting	Suitable for plane surfaces and pillars
Cable entry	Boreholes for M 20 screwing
Wire connection	Screw type terminal, 0.25 mm <sup>2</sup> to 2.5 mm <sup>2</sup> (24 AWG to 14 AWG)
Temperature range	-40 °C to 60 °C (-40 to 140 °F)
Gas inlet	Direct
Mounting accessories	M 20 screwing, mounting screws

### ORDERING INFORMATION

XT-5-XX-XX

#### Cover Stamping

- 1X Without stamping
- 2X MSR-E stamping
- 3X Customer's stamping<sup>1</sup>

#### Cable entry

- X1 Cable entry above
- X2 Cable entry above /below
- X3 Cable entry back side<sup>2</sup>

<sup>1</sup> On request

<sup>2</sup> On request

### DIMENSIONS

