

PolyGard® Gas Controller Extension Module EP-05

DESCRIPTION

Extension module with four analog inputs (4 to 20 mA), five potential-free alarm relays and two analog outputs (4 to 20 mA) intended for the connection to the PolyGard Gas Controller GC-05. Via the internal device bus, up to 23 extension modules can be connected.

APPLICATION

Extension of analog inputs and outputs, as well as of alarm relays of the PolyGard Gas Controller GC-05.

FEATURES

- Four analog inputs, 4 to 20 mA
- Five alarm relays with change-over contact, potential-free, max. 250 VAC, 5 A¹
- Two analog outputs, 4 to 20 mA
- Simple module addressing due to decode switches
- Suitable for rail mounting (distribution box)
- Option: Analog inputs 0 – 10 V

¹ Only active for module addresses 1 - 5



TECHNICAL DATA

Electrical

Power supply	24 VAC/DC -10% + 20%
Power consumption	3 W, 120 mA
Analog input (4)	4 to 20 mA, overload and short-circuit- protected, input resistance 200 Ω
Tension for external analog transmitter	24 VDC, max. 50 mA /per transmitter
Analog output (2) configurable for each input	4 to 20 mA, overload and short-circuit- protected, max. load 500 Ω
Alarm relay (5)	250 VAC, 5 A, potential-free, change-over (SPDT)

Environmental conditions

Humidity	15 – 95 % RH non condensing
Working temperature	-10 °C to + 40 °C (14 °F to 104 °F)
Storage temperature	0 °C to + 40 °C (32 °F to 104 °F)

Physical

Enclosure	Plastic housing ABS
Color	RAL 7035
Protection class	IP 40
Weight	0.3 kg (0.6 lbs.)
Mounting	Top DIN rail, in distribution box
Dimensions (W x H x D)	104 x 86 x 56 mm (4.1 x 3.4 x 2.2 in.)
Wire connection: Power supply	Screw type: 2.5 mm ² (14 AWG)
Output	2x spring: min. 0.5, max. 1.5 mm ² (22 - 16 AWG)
Input	Spring type: mi. 0.5, max. 1.5 mm ² (22 - 16 AWG)

Guidelines

EMC – Directive 2004/108/EC;
 Low voltage directive 2006/95/EC
 EN 61010-1:2010
 ANSI/UL 61010-1
 CAN/CSA-C22.2 No. 61010-1

Warranty

One year on material

Options

Analog input 0 – 10 V

Min. load	25 kΩ
-----------	-------

ORDERING INFORMATION

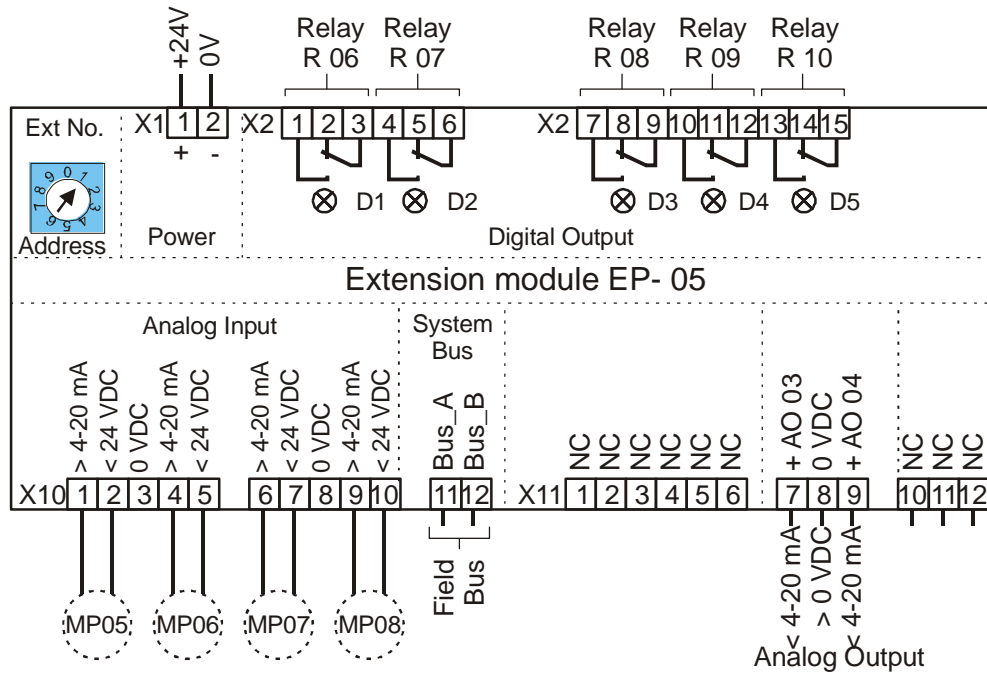
EP-05-0000

Options	
1XXX	Input 0 - 10 V
X1XX	Address range 1 – 8 ¹
X2XX	Address range 9 – 16 ²
X3XX	Address range 17- 23 ²

¹ Alarm relays und analog output not active for addresses 6 to 8

² Address ranges 9 - 23 only available with analog input. Next range up only possible, if the preceding address range is completely occupied.

WIRING CONNECTION



Example: Module address 01

Table EP05 Modules

EP No.	EP Addr.	Address Switch	MP No.	Rel. No.	AO No.	Module EP-05
01	01	01	05 – 08	06 – 10	03 – 04	X1XX
02	02	02	09 – 12	11 – 15	05 – 06	X1XX
03	03	03	13 – 16	16 – 20	07 – 08	X1XX
04	04	04	17 – 20	21 – 25	09 – 10	X1XX
05	05	05	21 – 24	26 – 30	11 – 12	X1XX
06	06	06	25 – 28	----	----	X1XX
07	07	07	29 – 32	----	----	X1XX
08	08	08	33 – 36	----	----	X1XX
09	09	01	37 – 40	----	----	X2XX
10	10	02	41 – 44	----	----	X2XX
11	11	03	45 – 48	----	----	X2XX
12	12	04	49 – 52	----	----	X2XX
13	13	05	53 – 56	----	----	X2XX
14	14	06	57 – 60	----	----	X2XX
15	15	07	61 – 64	----	----	X2XX
16	16	08	65 – 68	----	----	X2XX
17	17	01	69 – 72	----	----	X3XX
18	18	02	73 – 76	----	----	X3XX
19	19	03	77 – 80	----	----	X3XX
20	20	04	81 – 84	----	----	X3XX
21	21	05	85 – 88	----	----	X3XX
22	22	06	89 – 92	----	----	X3XX
23	23	07	93 – 96	----	----	X3XX